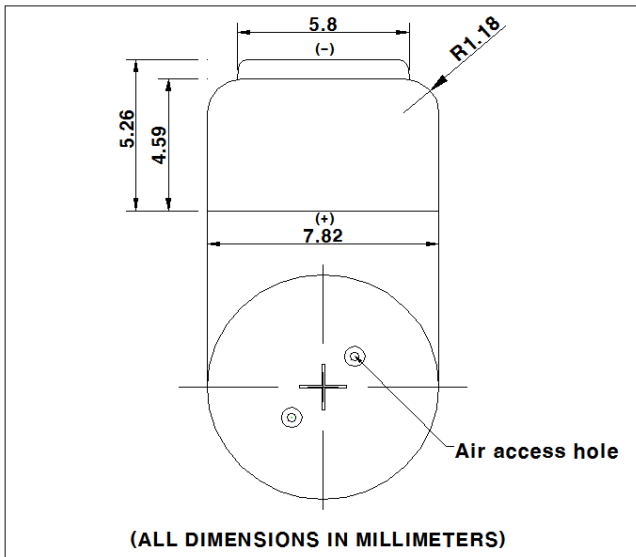


13 Mercury-Free Engineering Data sheet



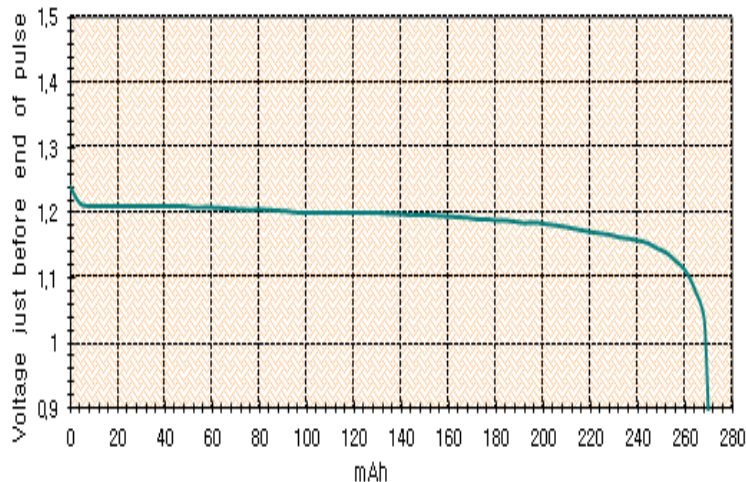
SPECIFICATIONS

Type designation :	13DS
Nominal voltage :	1.45V
Typical capacity :	270mAh (Rated at 2mA continuous & 6mA / 100ms Pulses at 25°C 60%)
Average weight :	0.82g
Operating Temp :	-10°C ~ 50°C
Impedance :	≤5Ω (at AC 1KHz)
Available current :	10mA at 1.1V
IEC :	PR48
Terminals :	FLAT
Shelf life :	4 years

(Discharge Charts of IEC 60086-2:2011 Standards)

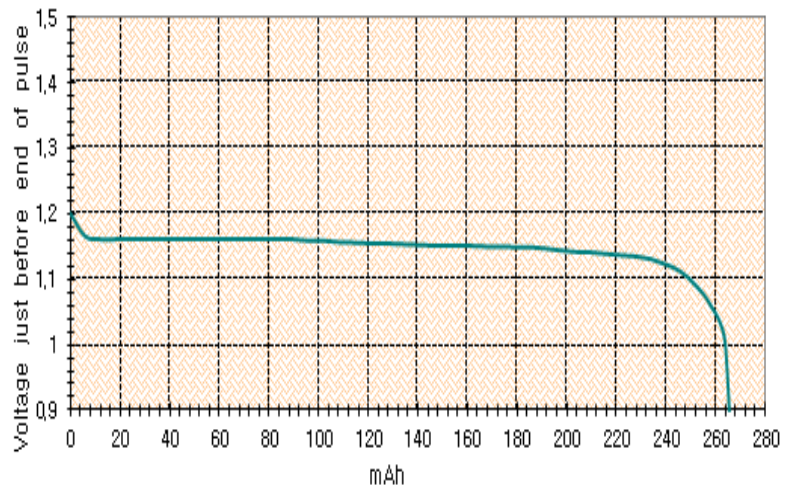
13 [Mercury Free Standard Test]

Pulsed load : 2.0 mA continuous & 6.0 mA/100ms Pulses
Pulse interval : 2.0 h Temp./RH : 25/60



13 [Mercury Free High Drain Test]

Pulsed load : 3.0 mA continuous & 12.0 mA/100ms Pulses
Pulse interval : 2.0 h Temp./RH : 25/60



Important Notice

This data sheet contains information specific to batteries manufactured at the time of its publication
Contents herein do not constitute a warranty.
Copyright iCellTech Corp. – All Rights Reserved